

KT56W SERIES

56W SWITCHING AC-DC ADAPTER

Desk-Top Type



Features

- * Universal Input Range 90~264VAC
- * Meets EN55022 Class B and CISPR/FCC Class B
- * Continuous Short Circuit Protection
- * Over Voltage Protection
- * Meet CEC & ErP Level VI
- * IEC60320-C8 Inlet



Typical Model List

OUTPUT VOLTAGE	OUTPUT CURRENT	RIPPLE & NOISE (NOTE 2)	VOLTAGE ACCURACY (NOTE 1)	LINE REGULATION (NOTE 3)	LOAD REGULATION (NOTE 4)	MAX OUTPUT POWER
28.0V	2000mA	150mV	±5%	±1%	±5%	56.0W

Specification

INPUT SPECIFICATIONS:

Voltage 90~264Vac
Frequency 47 to 63Hz
Input Current 1.0A max.
Inrush Current Cold Start @25°C 60A max. @240Vac
Leakage Current 0.25mA max.

OUTPUT SPECIFICATIONS:

Hold-up Time 10ms typ. @115Vac
Short Circuit Protection..... Continuous(Auto Recovery)
Over Voltage Protection..... Yes
Temperature Coefficient..... $\pm 0.05\%/^{\circ}\text{C}$

GENERAL SPECIFICATIONS:

Hi-pot Input to output = 3.000VDC
Operating Temperature 0 ~ 40°C
Storage Temperature..... -20 ~ 80°C
Humidity.....85% RH max. Non condensing

Cooling..... Natural Convection
Switching Frequency 50KHz Typical
MTBFMIL-HDBK-217F, GB, at 25°C/115VAC....50Khrs min.
Altitude 5000m

SAFETY AND EMC:

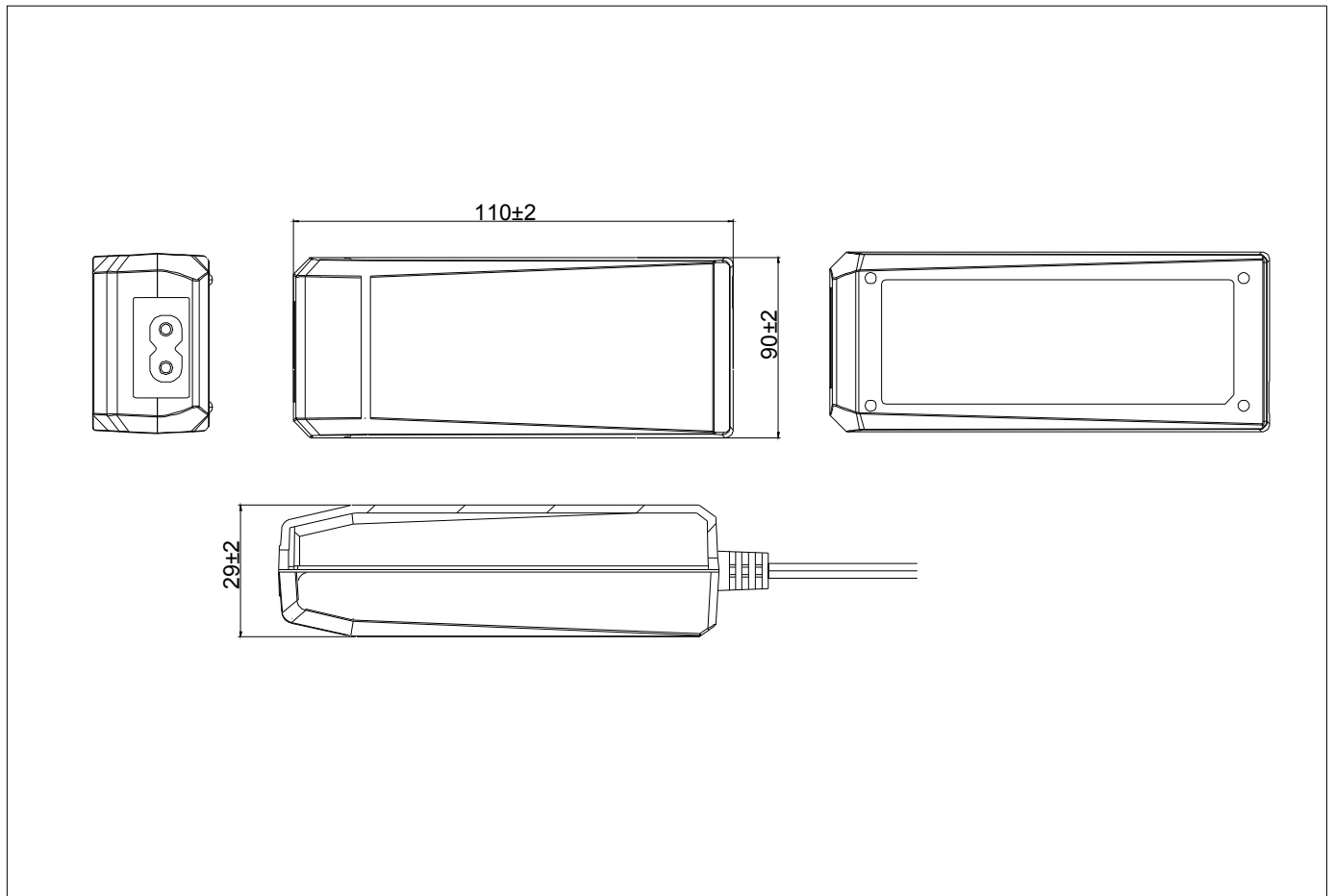
Emission and Immunity EN55022 Class B, FCC Part 15
Class B EN61000-6-3,EN61000-3-2,EN61000-3-3

Safety IEC61558, EN61558

NOTE:

1. Voltage accuracy at 60% full load.
2. Add a 0.1uF ceramic capacitor and a 10uF E.L. capacitor to output for Ripple & Noise measurement @20MHz BW.
3. Line regulation is measured from 100V to 240Vac full load.
4. Load regulation is measured from 60% to 100% full load and from 60% to 20% full load (60% +/- 40% full load)

Mechanical Specification



All Dimensions are in mm, Tolerance: X.X±0.5

Typical at 25°C, nominal line and 75% load, unless otherwise Specified